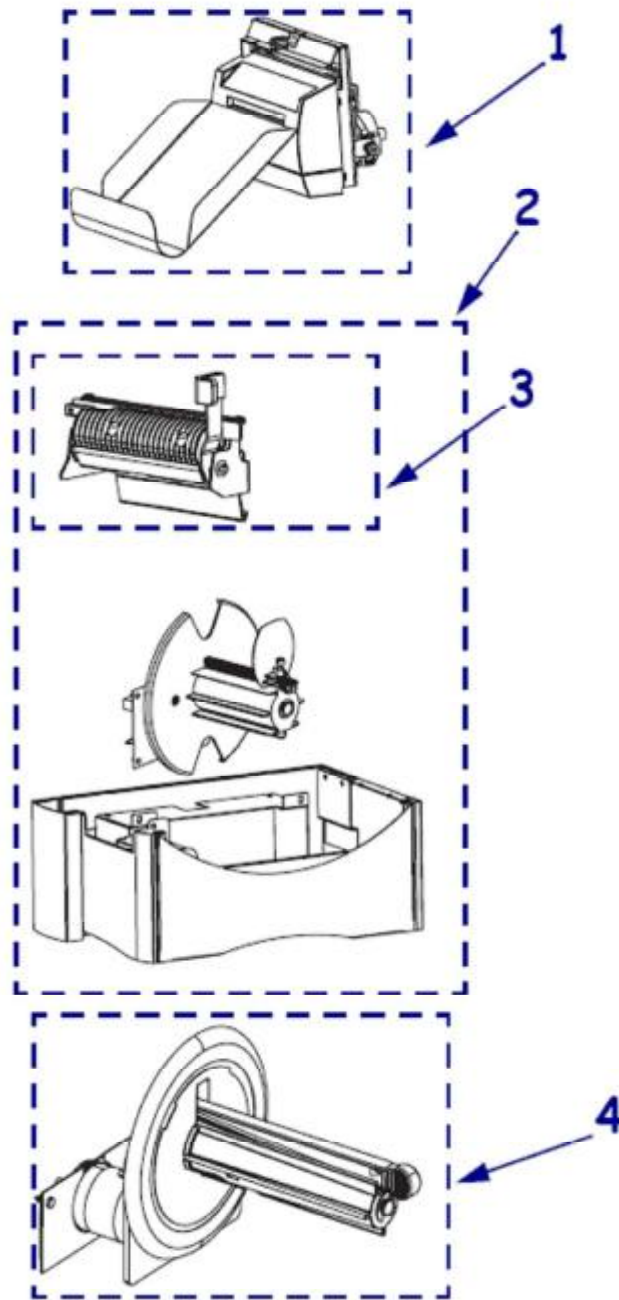


ZMx00 Series Parts Catalog

Media Handling Options



Item Number	Description	Part Number	Kit Quantity
1	Kit Option Cutter ZM400	79841	1
1	Kit Option Cutter ZM600	79842	1
2	Kit Option Media Rewind & Peel Unit in one kit ZM400	79835	1
2	Kit Option Media Rewind & Peel Unit in one kit ZM600	79836	1
3	Kit Peel Unit ZM400	79831M	1
3	Kit Peel Unit ZM600	79832M	1
4	Kit Upgrade Liner TakeUp ZM400 only (not offered on ZM600)	79868M	1